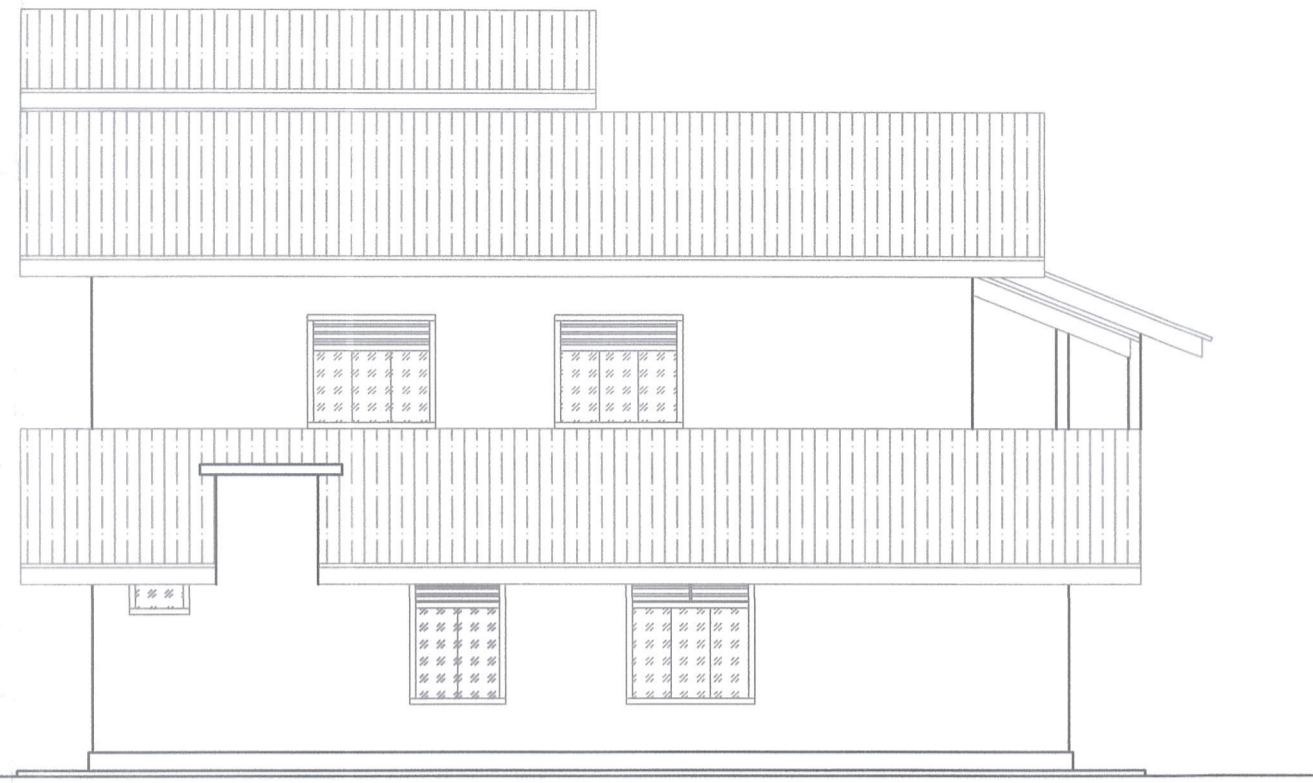
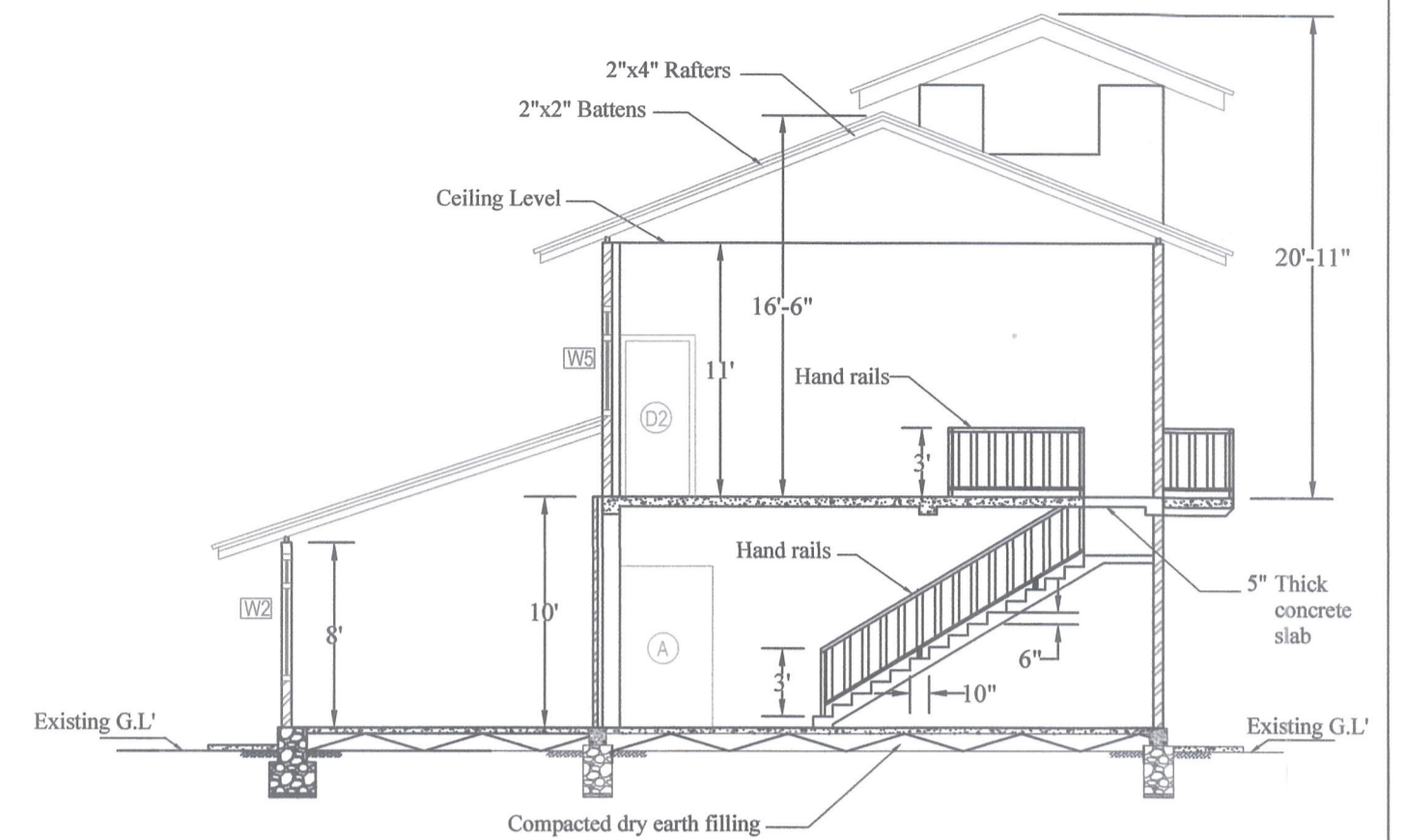




FRONT ELEVATION
SCALE : 8 feet to an inch

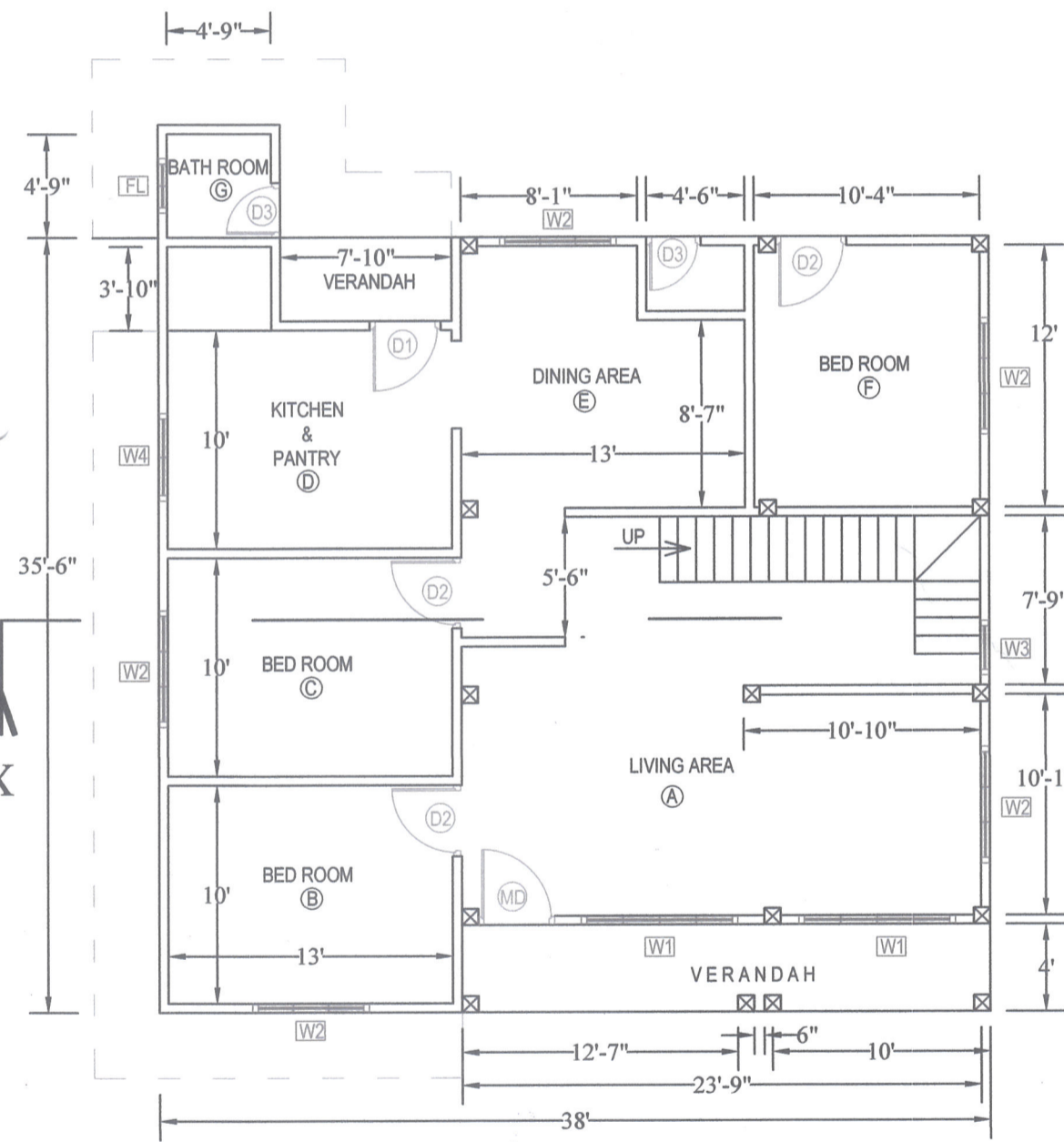


SIDE ELEVATION
SCALE : 8 feet to an inch

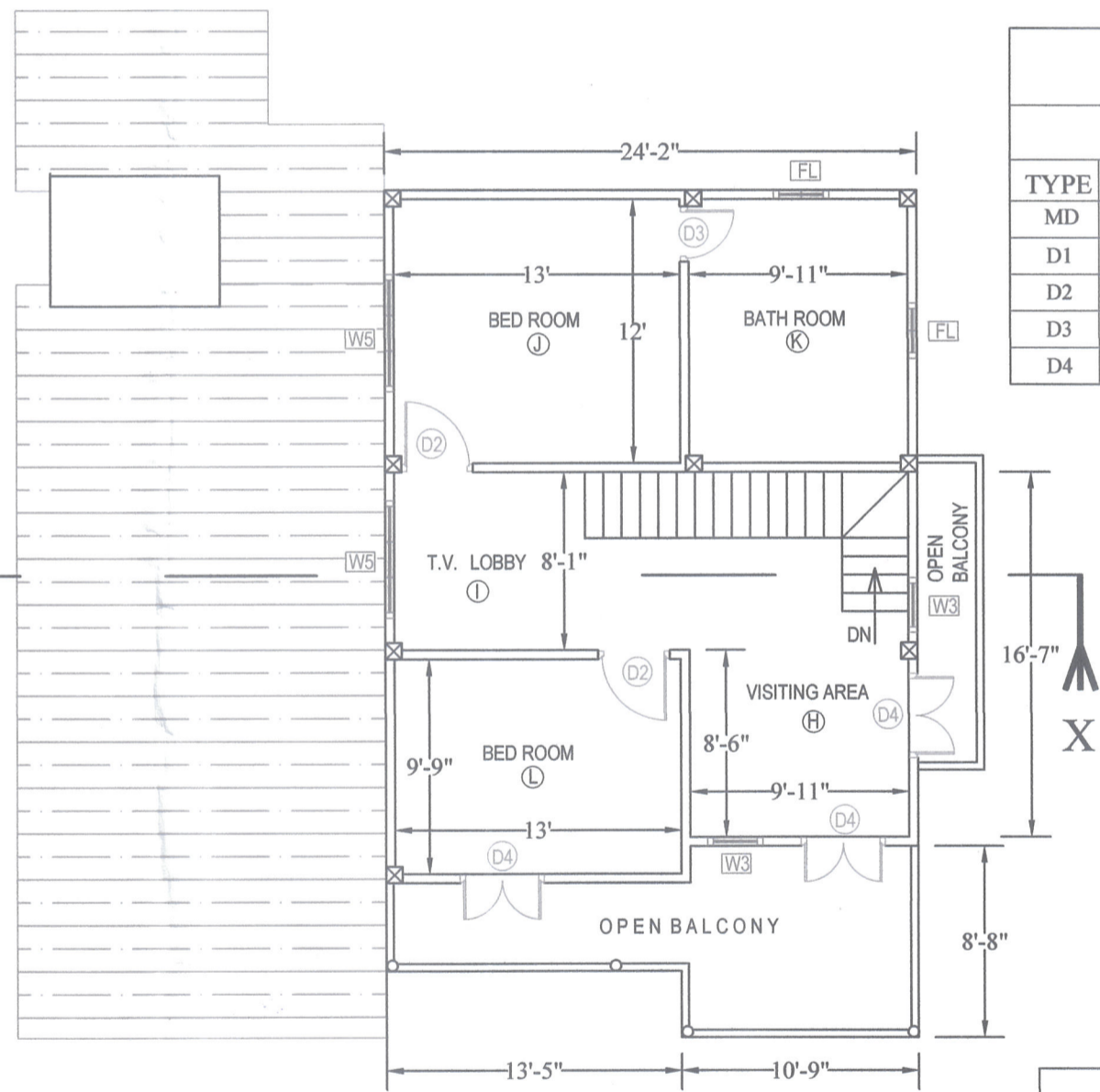


SECTION X-X
SCALE : 8 feet to an inch

සහතික කළේ
අනුමැතිය ලබාදුණේ
දිනය: 2024.10.24

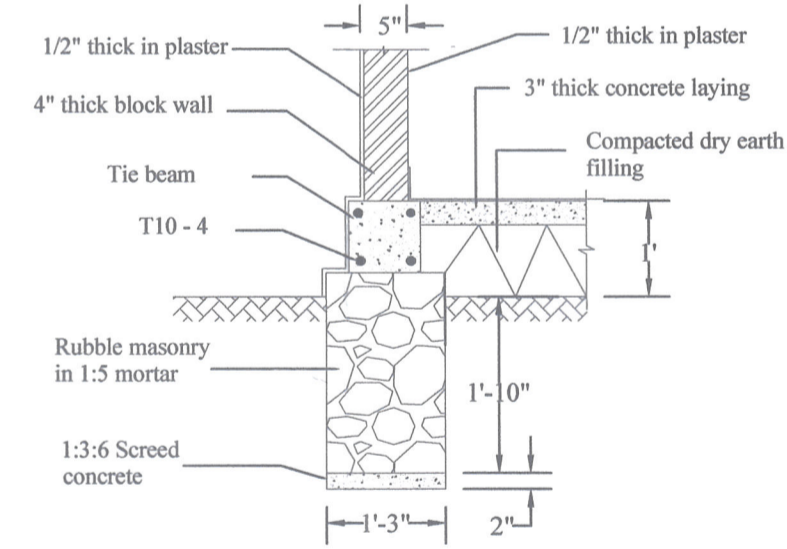


GROUND FLOOR PLAN
SCALE : 8 feet to an inch

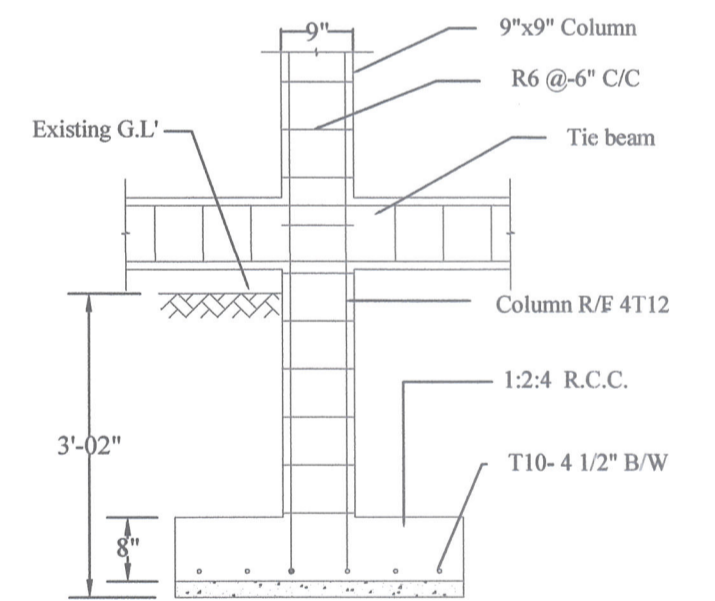


FIRST FLOOR PLAN
SCALE : 8 feet to an inch

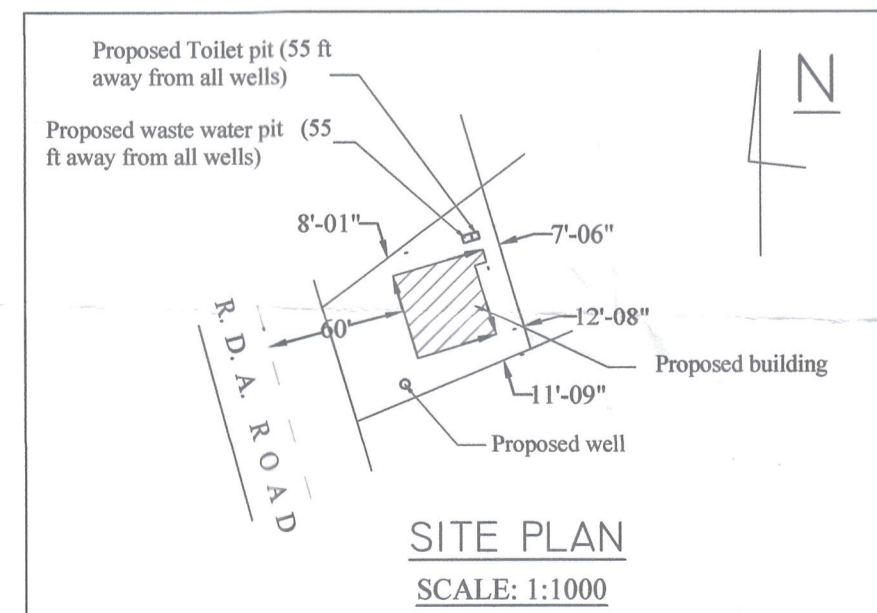
SCHEDULE OF DOORS & WINDOWS									
DOORS					WINDOWS				
TYPE	SIZE	DESCRIPTION	NOS	TYPE	SIZE	DESCRIPTION	NOS		
MD	3'-06" x 8'-03"	Timber paneled door with trellis work on top	01	W1	7'-02" x 6'-03"	Timber glazed window with trellis work on top	02		
D1	3'-03" x 8'-03"	Timber paneled door with trellis work on top	01	W2	5'-04" x 5'-06"	Timber glazed window with trellis work on top	05		
D2	3'-03" x 7'-00"	Timber paneled door	05	W3	2'-06" x 8'-03"	Timber glazed window with trellis work on top	03		
D3	2'-06" x 6'-00"	Timber fixed glazed door	03	W4	4'-00" x 5'-06"	Timber glazed window with trellis work on top	01		
D4	3'-10" x 8'-03"	Timber glazed double door with trellis work on top	03	W5	5'-04" x 4'-09"	Timber glazed window with trellis work on top	02		
				FL	2'-06" x 3'-06"	Timber glazed fanlight	03		



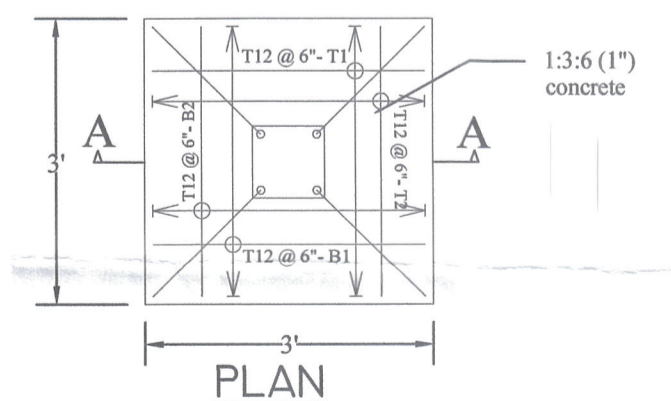
FOUNDATION DETAILS
SCALE: 2 feet to an inch



SECTION A-A



SITE PLAN
SCALE: 1:1000



COLUMN DETAILS
SCALE: 2 feet to an inch

PROJECT : PROPOSED NEW RESIDENCE OF MRS. P. N. S. FERNANDO AT NO. 89/1, BANGALAWATTA, MIRIGAMA ROAD, PASYALA	GROUND FLOOR AREA:	1378.00 sq. feet	SCALE	
	FIRST FLOOR AREA:	932.00 sq. feet	PLAN	8 FEET TO AN INCH
	TOTAL FLOOR AREA:	2310.00 sq. feet	FOUNDATION DETAIL	2 FEET TO AN INCH
			SITE PLAN	1:1000
TITLE: ARCHITECTURAL DRAWING PLANS, ELEVATIONS, FOUNDATION DETAILS, DOOR AND WINDOW SCHEDULE.	DRAWN	<i>Gnanu</i> H.W.G.H. Wijesinghe NDT - Civil Engineering No. 97/1, Lindara, Pamunuwatta, Meerigama.	APPLICANT SIGNATURE	<i>ස.නි.ස.ස.ස.ස.</i>
	DATE : 03-10-2024	T.P. NO: 0711642459		