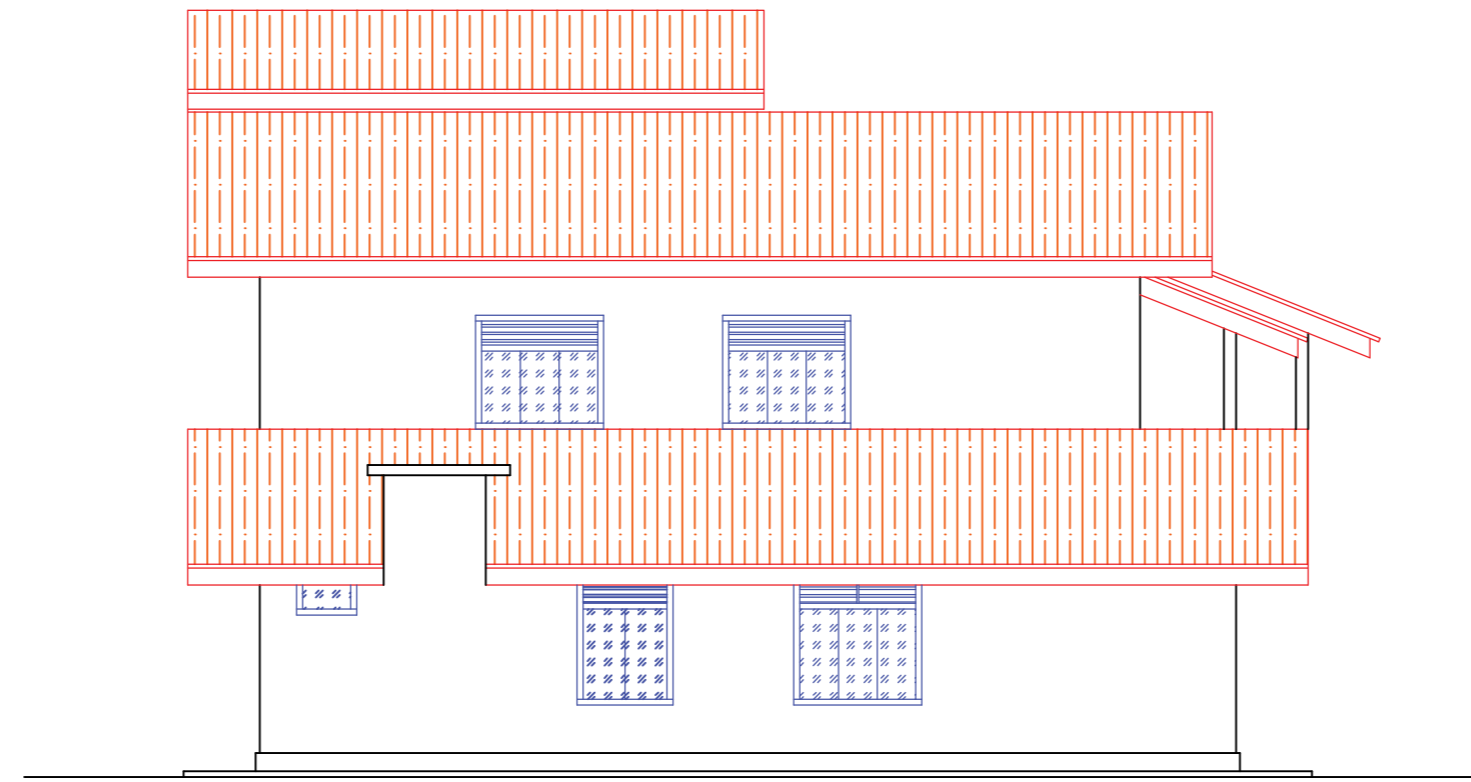
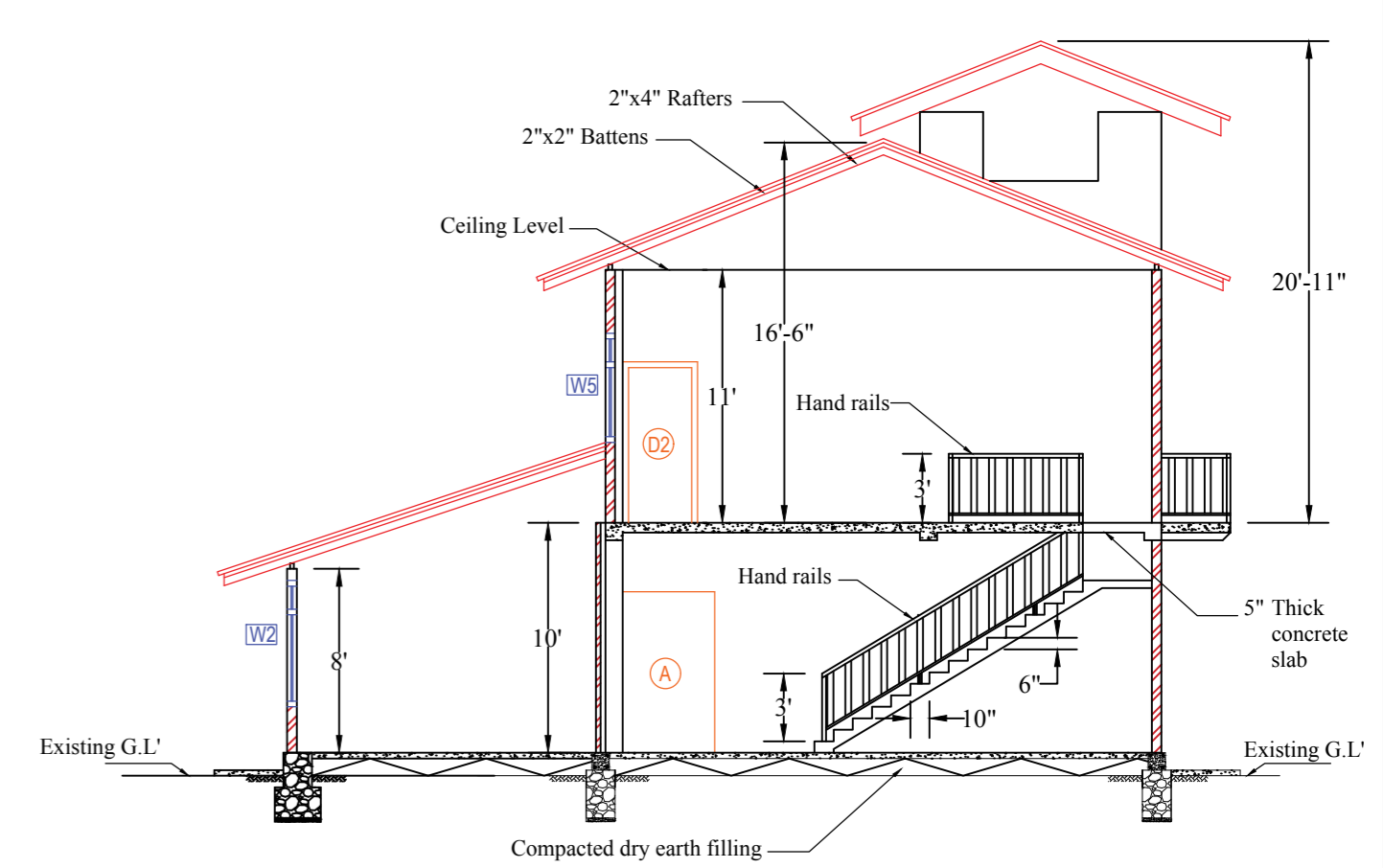


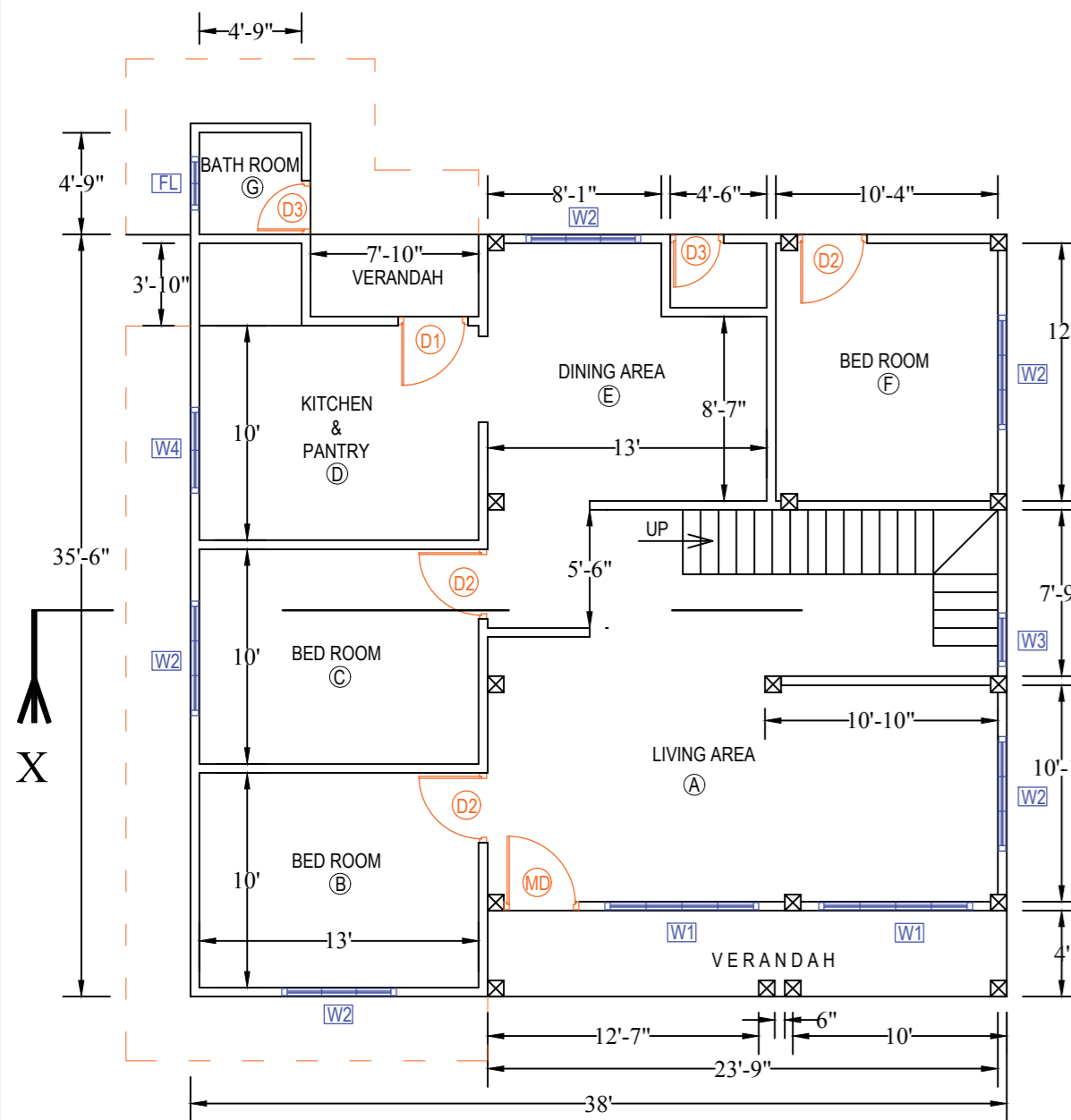
FRONT ELEVATION
SCALE : 8 feet to an inch



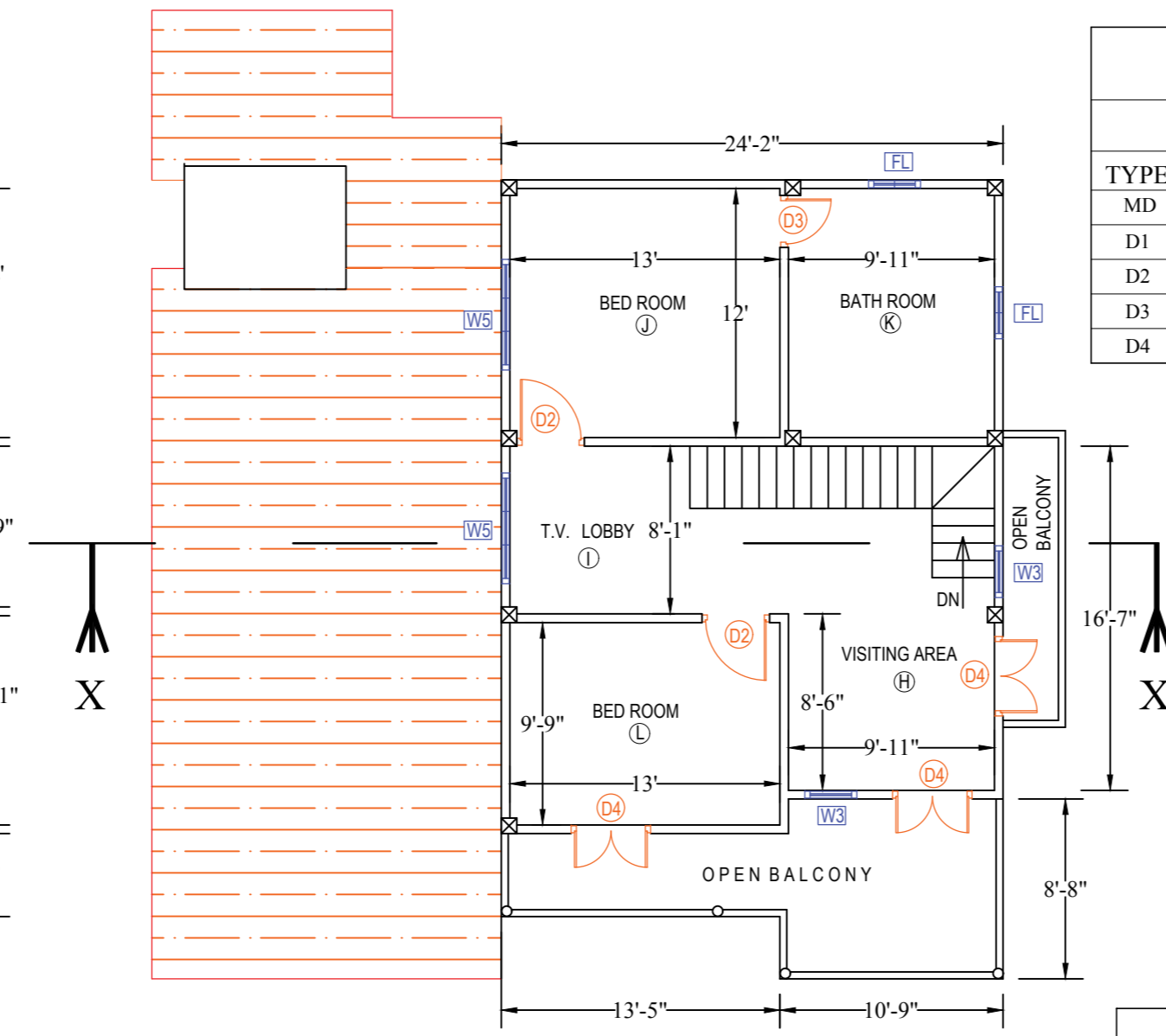
SIDE ELEVATION
SCALE : 8 feet to an inch



SECTION X-X
SCALE : 8 feet to an inch

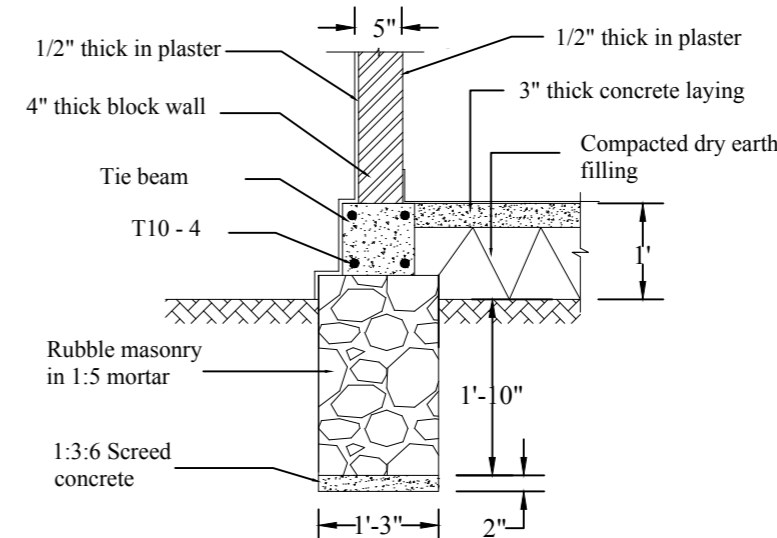


GROUND FLOOR PLAN
SCALE : 8 feet to an inch

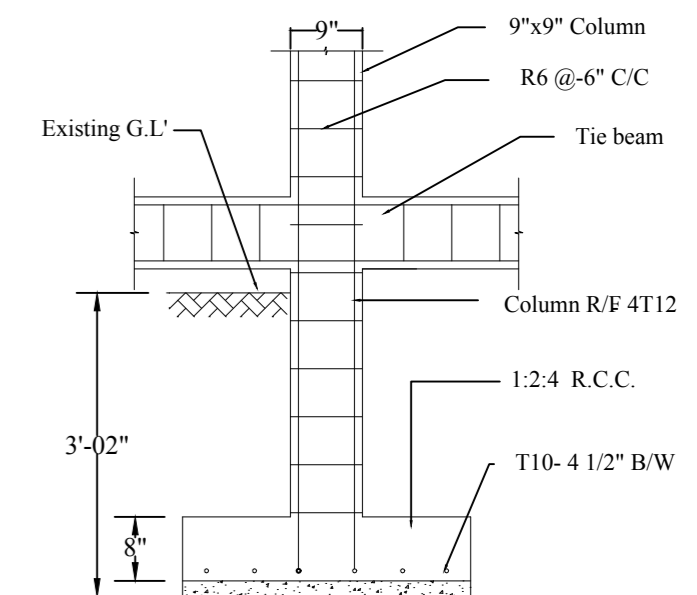


FIRST FLOOR PLAN
SCALE : 8 feet to an inch

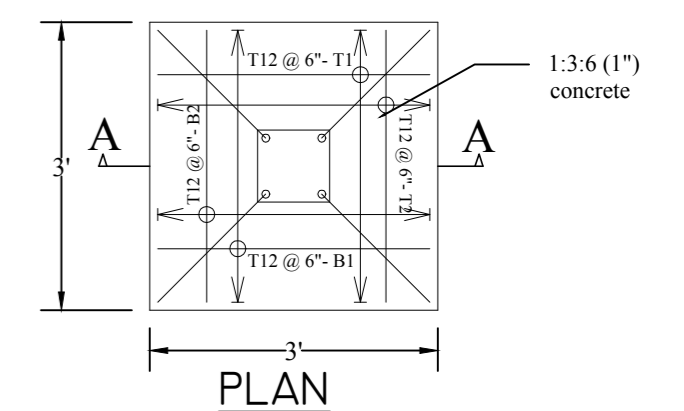
SCHEDULE OF DOORS & WINDOWS							
DOORS				WINDOWS			
TYPE	SIZE	DESCRIPTION	NOS	TYPE	SIZE	DESCRIPTION	NOS
MD	3'-06" x 8'-03"	Timber paneled door with trellis work on top	01	W1	7'-02" x 6'-03"	Timber glazed window with trellis work on top	02
D1	3'-03" x 8'-03"	Timber paneled door with trellis work on top	01	W2	5'-04" x 5'-06"	Timber glazed window with trellis work on top	05
D2	3'-03" x 7'-00"	Timber paneled door	05	W3	2'-06" x 8'-03"	Timber glazed window with trellis work on top	03
D3	2'-06" x 6'-00"	Timber fixed glazed door	03	W4	4'-00" x 5'-06"	Timber glazed window with trellis work on top	01
D4	3'-10" x 8'-03"	Timber glazed double door with trellis work on top	03	W5	5'-04" x 4'-09"	Timber glazed window with trellis work on top	02
				FL	2'-06" x 3'-06"	Timber glazed fanlight	03



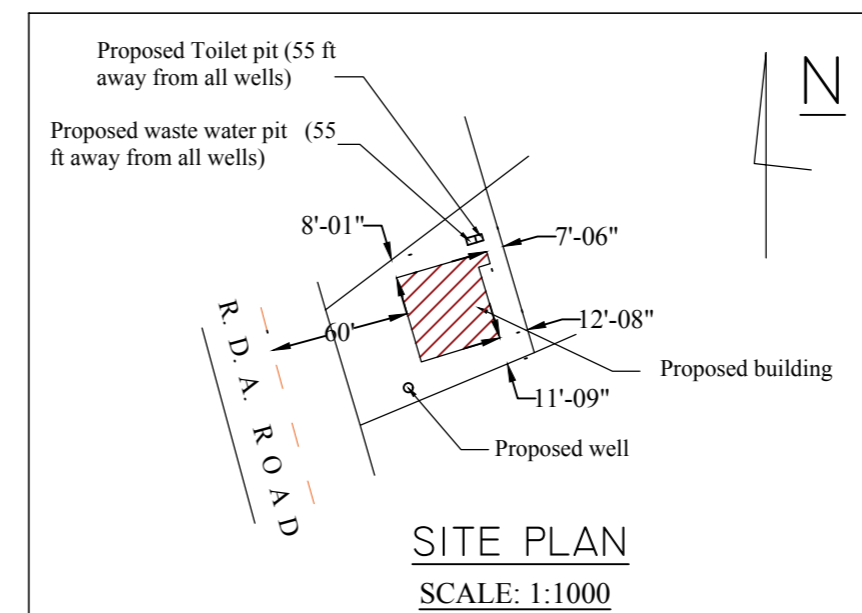
FOUNDATION DETAILS
SCALE: 2 feet to an inch



SECTION A-A



PLAN COLUMN DETAILS
SCALE: 2 feet to an inch



SITE PLAN
SCALE: 1:1000

PROJECT : PROPOSED NEW RESIDENCE OF MRS. P. N. S. FERNANDO AT NO. 89/1, BANGALAWATTA, MIRIGAMA ROAD, PASYALA
TITLE: ARCHITECTURAL DRAWING
PLANS, ELEVATIONS, FOUNDATION DETAILS, DOOR AND WINDOW SCHEDULE.

GROUND FLOOR AREA:	1378.00 sq. feet	SCALE	
FIRST FLOOR AREA:	932.00 sq. feet	PLAN	8 FEET TO AN INCH
TOTAL FLOOR AREA:	2310.00 sq. feet	FOUNDATION DETAIL	2 FEET TO AN INCH
		SITE PLAN	1:1000
DRAWN		APPLICANT SIGNATURE	
DATE : 03-10-2024	T.P. NO: 0711642459		